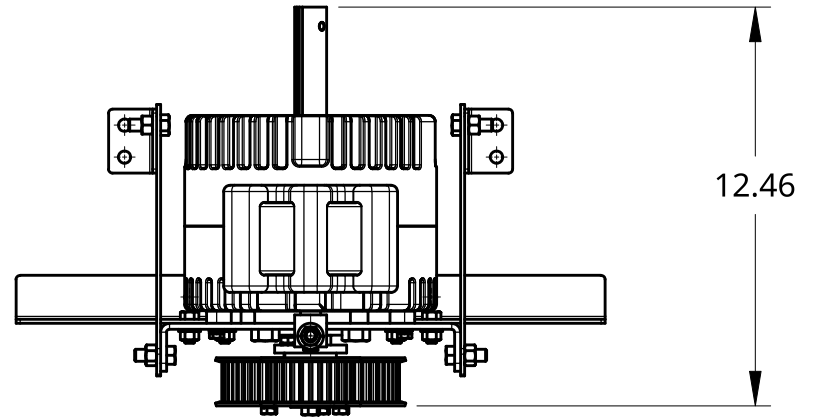
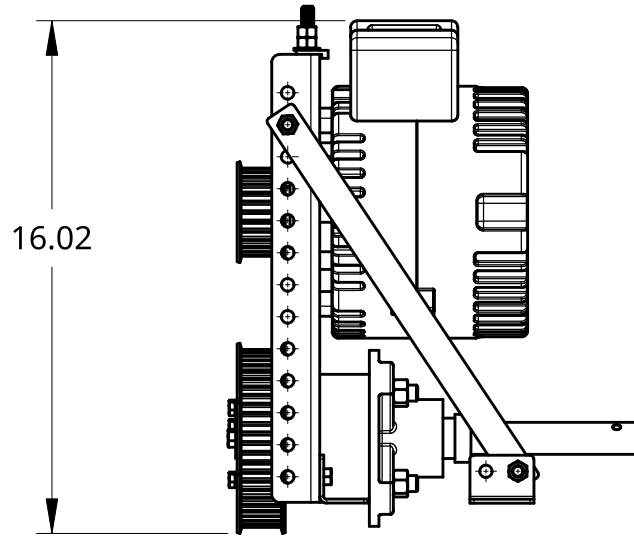


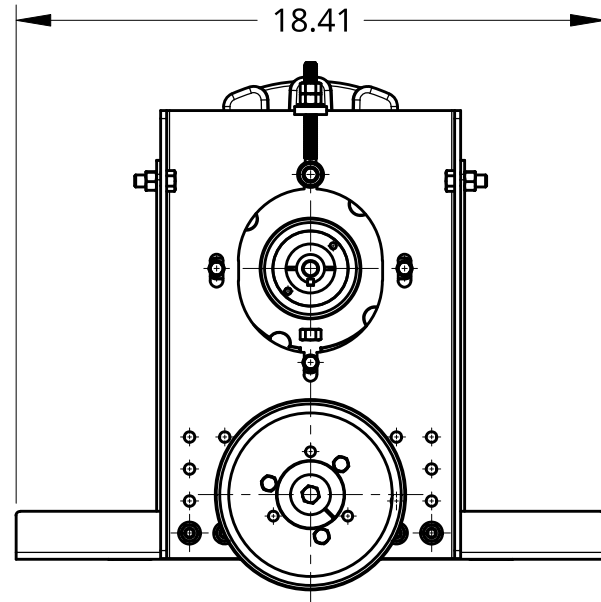
2

1

B

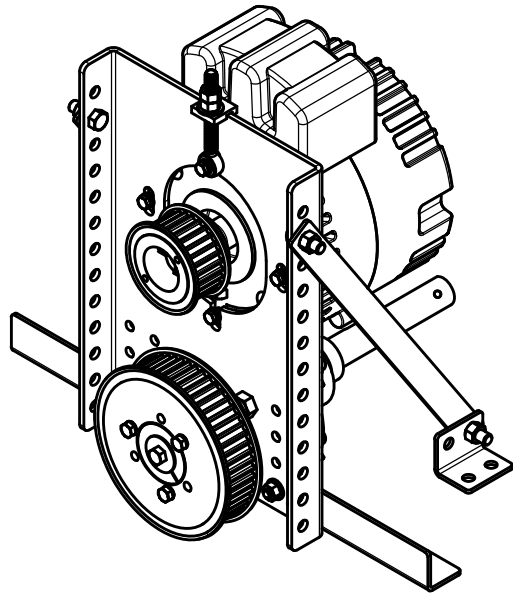


B



A

A



UNLESS OTHERWISE SPECIFIED, DIMENSIONS ARE IN INCHES .XX = ±.0- .XXX = ±.00- .XXXX = ±.000- SURFACE FINISH <input checked="" type="checkbox"/>		NAME	DATE	TITLE  <b>5-10kW Gear Reduction</b>	
DO NOT SCALE DRAWING	DRAWN	ARDEN CHILDERS	03/05/2026		
BREAK ALL SHARP EDGES AND REMOVE BURRS	CHECKED				
THIRD ANGLE PROJECTION	APPROVED				
	MATERIAL	FINISH		SIZE <b>A</b>	DWG NO.
				SCALE 1:6	WEIGHT
				SHEET	1 of 1

2

1