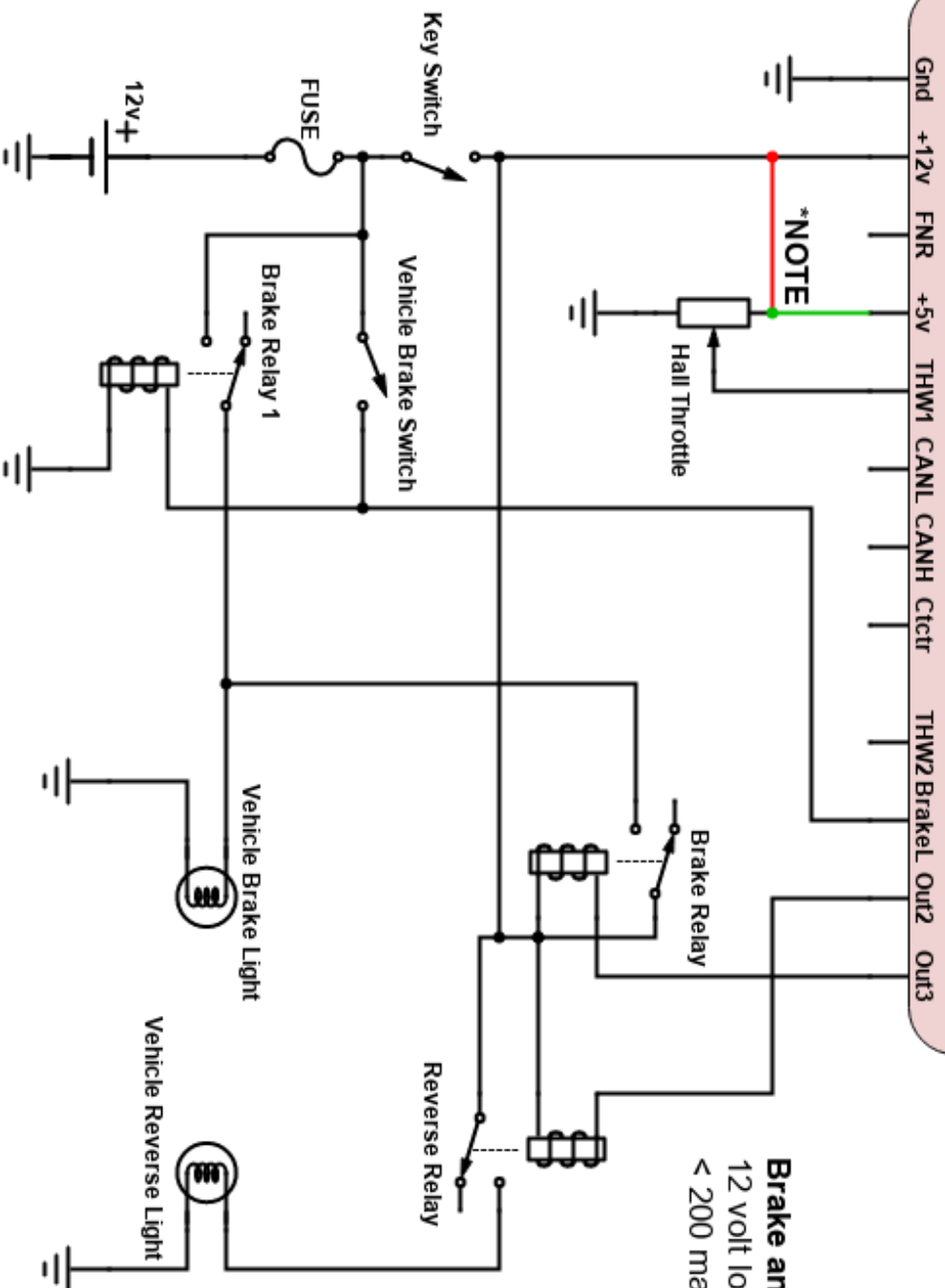


TSM VCU

20210107 R3 THW1, Brakel, Reverse



*NOTE

Throttle Wiring Options

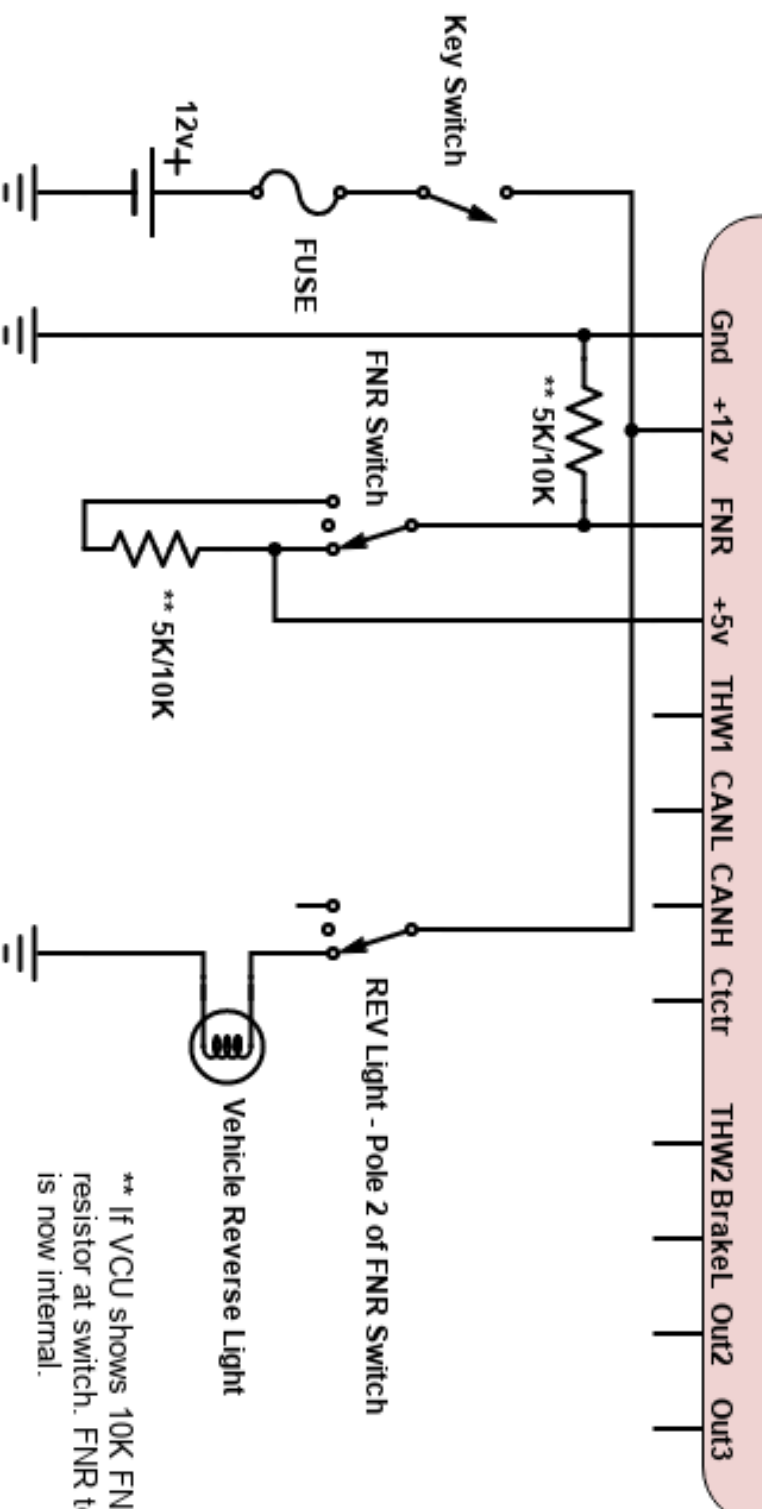
Green: 5v Hall Pedal

Red: 12v Hall Pedal

Brake and Reverse Relays
12 volt low current coil
<math>< 200\text{ ma}</math>

TSM VCU

FNR and Reverse Circuit



** If VCU shows 10K FNR Mod, use 10K resistor at switch. FNR to ground resistor is now internal.

TSM VCU

Power - Contactor - Precharge - V3.1

