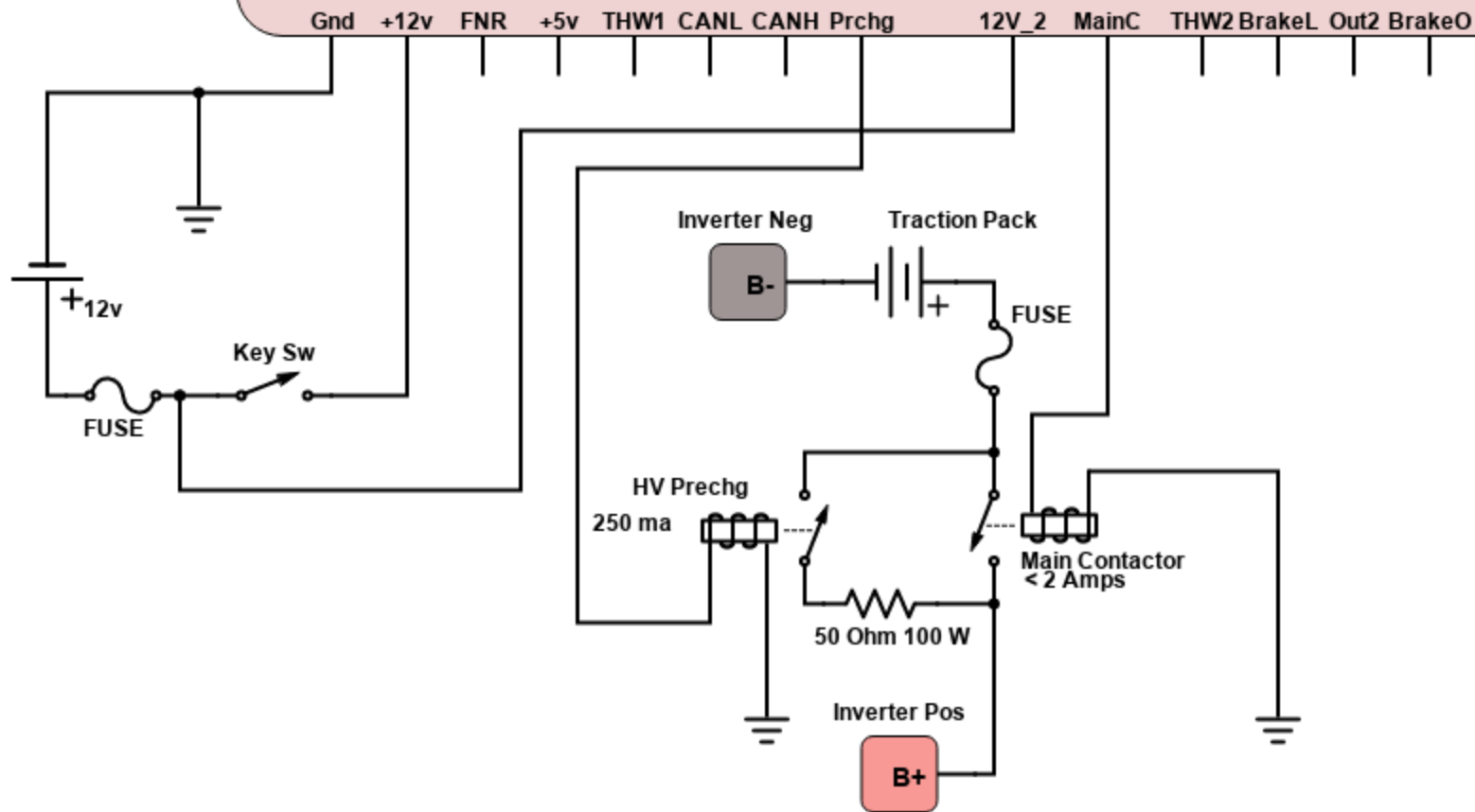
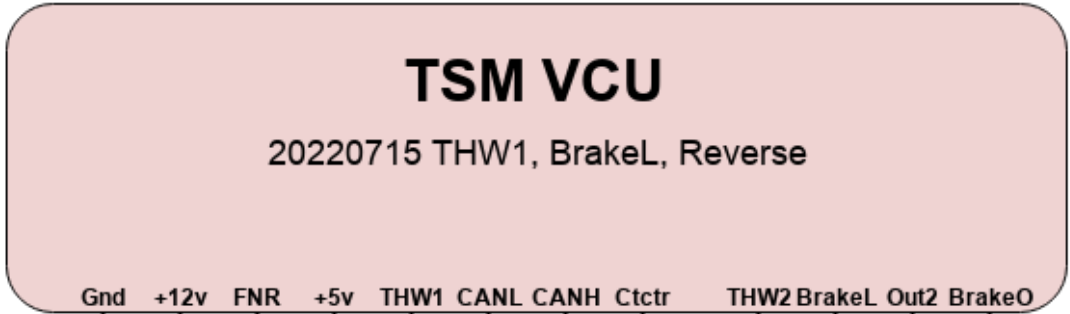


# TSM VCU

Power - Contactor - Precharge - v3.1





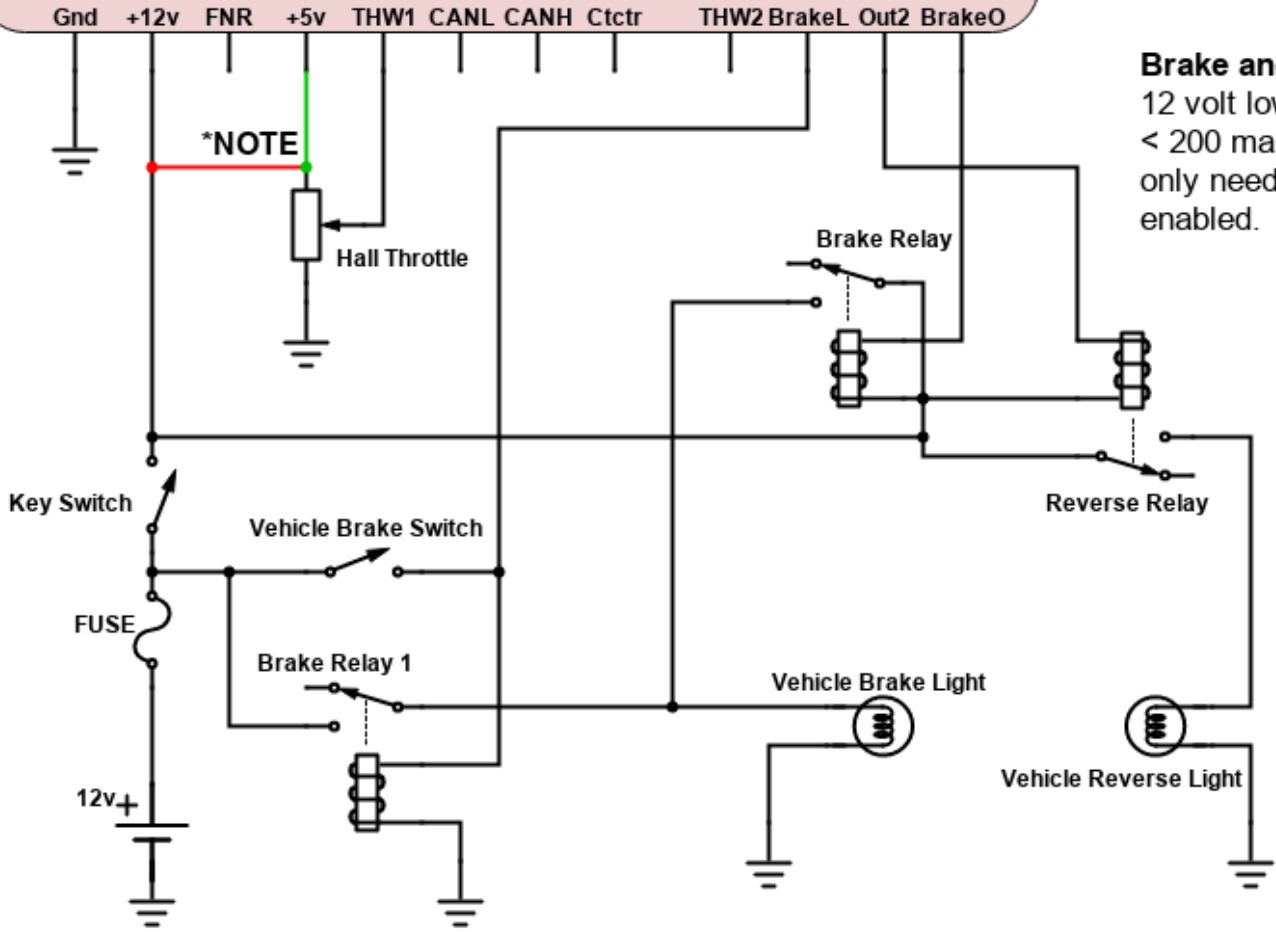
**\*NOTE**

**Throttle Wiring Options**

Green: 5v Hall Pedal  
Red: 12v Hall Pedal

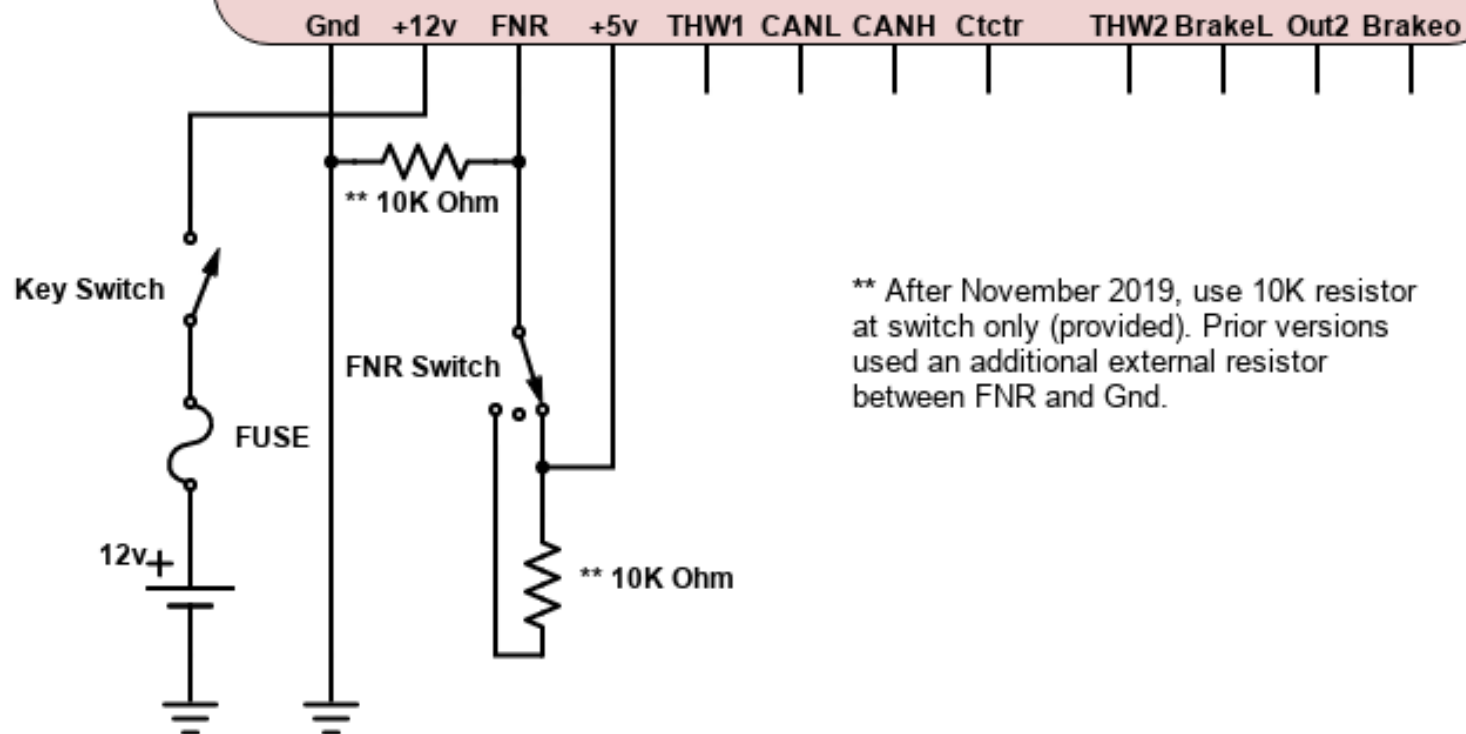
**Brake and Reverse Relays**

12 volt low current coil  
< 200 ma. Reverse relay  
only needed if if FNR is  
enabled.



# TSM VCU

20220715 FNR Circuit



\*\* After November 2019, use 10K resistor at switch only (provided). Prior versions used an additional external resistor between FNR and Gnd.