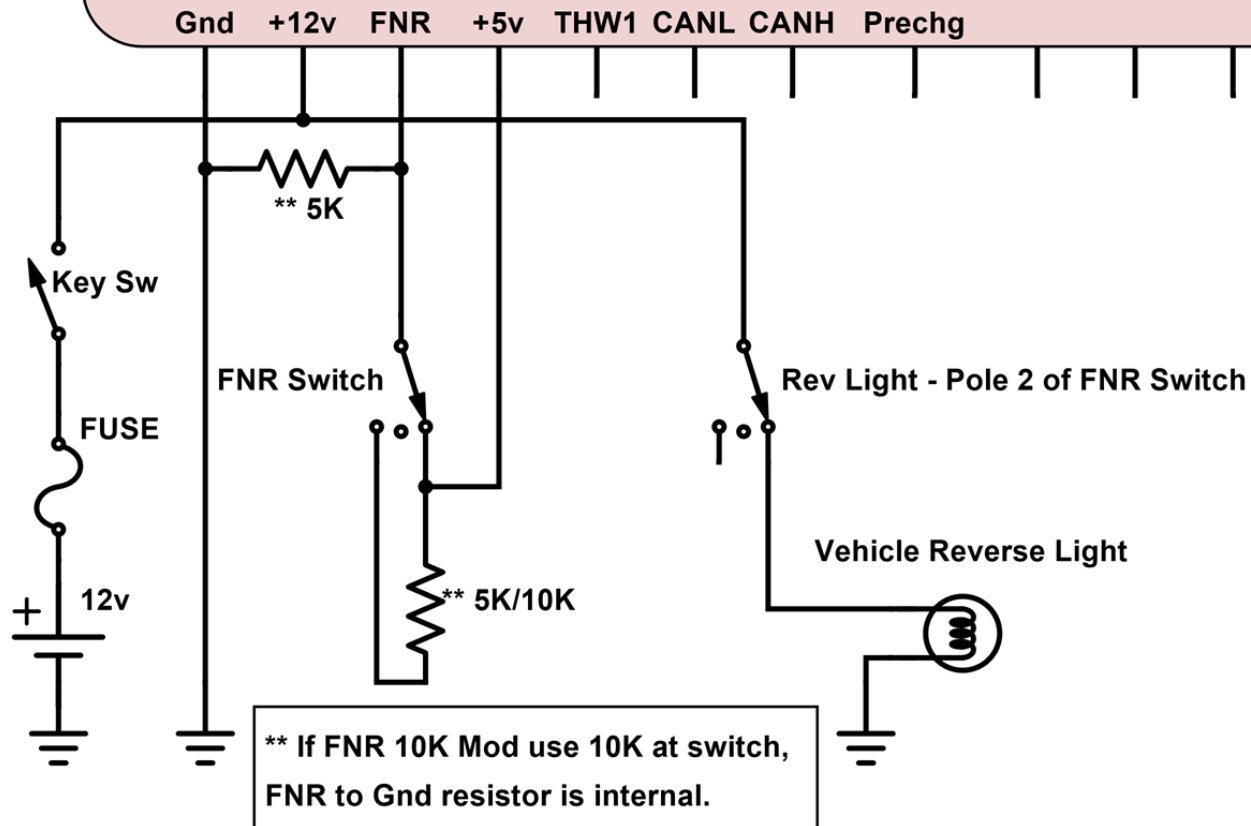


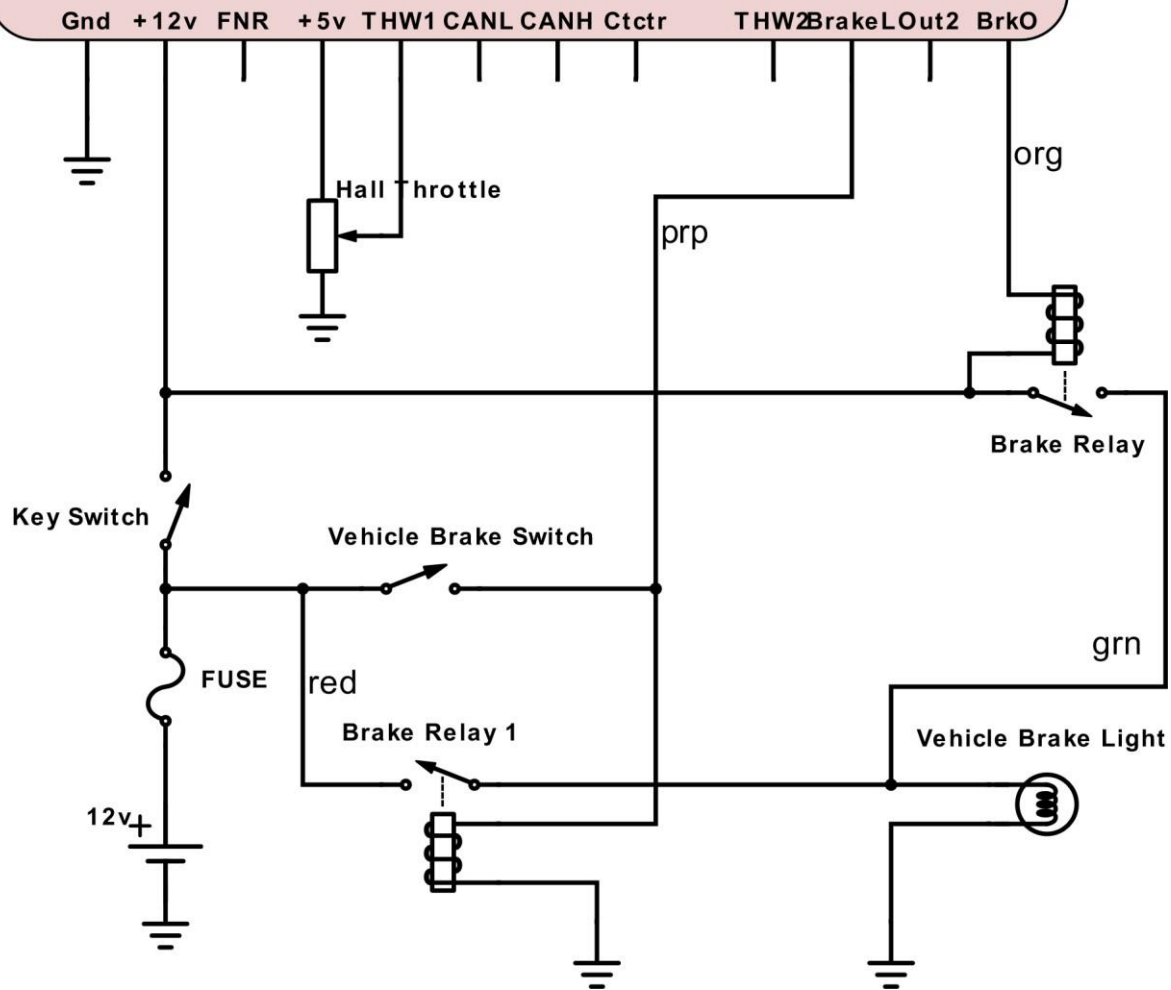
TSM VCU

Showing FNR Circuit with Rev Light v3.1



TSM VCU

11/2018 Thw1 and BrakeL Circuits - 3.1



TSM VCU

Power - Contactor - Precharge - V3.1

Gnd +12v FNR +5v THW1 CANL CANH Prchg +12vCt Ctctr THW2BrakeL Out2 BrkO

