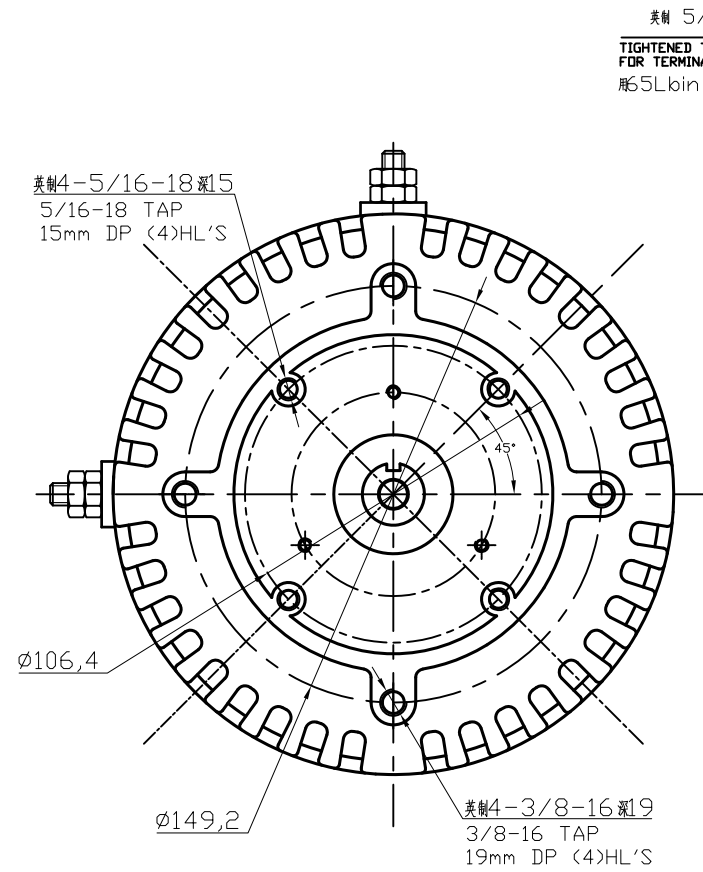
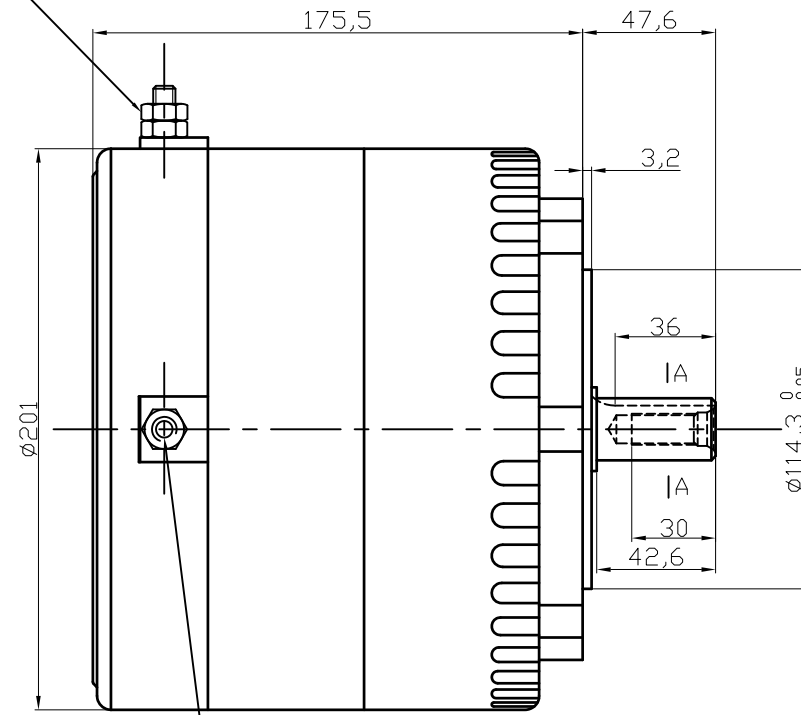


NOTES:

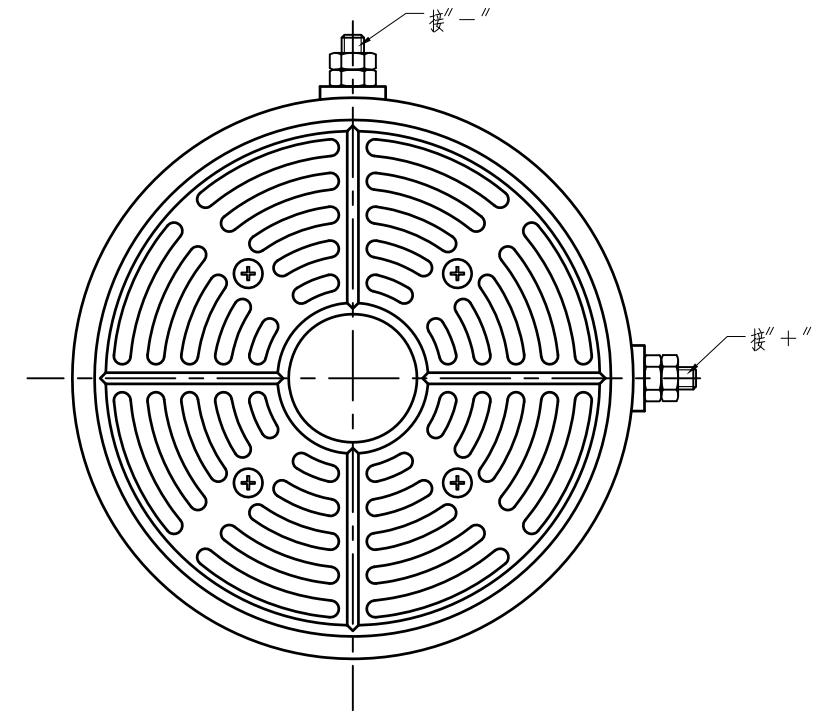
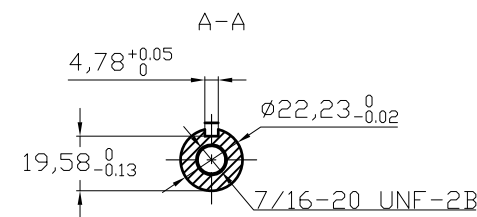
- 1.CCW
- 2.Front bearing: NTN6006 LLUC3/5K (Made in Japan)
- 3.Product to be shipped in plain white box, styrofoam packaging
Include Dyno Plot in box.
- 4.Box to be marked:
Part Number: ME0709
Made in China



英制 5/16-18
TIGHTENED TORQUE 65 INCH LB
FOR TERMINAL CONNECTION
用65Lbin 的力矩紧固螺帽。



英制 5/16-18
TIGHTENED TORQUE 65 INCH LB
FOR TERMINAL CONNECTION
用65Lbin 的力矩紧固螺帽。



NAMECARD DATA
PART # ME0709
DATE CODE XXXXXX
SERIAL #:XX.XX.XXXX
Motenergy,Inc.
Slinger, WI USA

型号 MODEL	输出功率 (W) POWER (W)	电 压 (V.DC) VOLTAGE (V.DC)	转 矩 (LB·IN) TORQUE (LB·IN)	额定转速 (RPM) LOADED SPEED (RPM)	空载转速 (RPM) NO LOAD SPEED (RPM)	电 流 (A) CURRENT (A)
ME0709	7028	72	180	3300 ± 250	appr. 3700	≥ 114

REV.	CHANGES	BY	ECO NO.	DATE	DO NOT SCALE DRAWING THIS DRAWING IS PROPRIETARY PROPERTY OF MARS ELECTRIC LLC CORPORATION DISCLOSED IN CONFIDENCE. WHICH MAY NOT BE USED OR DISCLOSED WITHOUT PERMISSION. RETURN PROMPTLY AFTER USE.	DIMENSIONING AND TOLERANCING PER ANSI Y14.5M-1994	MATERIAL	TITLE	Motenergy, Inc Slinger, WI USA	
-	-	-	-	-	-	-	-	OUTLINE	-	
-	-	-	-	-	-	-	-	DRAWN: lxp	11.04.22	-
-	-	-	-	-	-	-	-	APPR:	-	DESIGN VENDOR: -
-	-	-	-	-	-	-	-	MODEL NO:	-	OJW.T. 300. 501
-	-	-	-	-	-	-	-	SIM TO:	-	REV SHEET - 1 OF 1