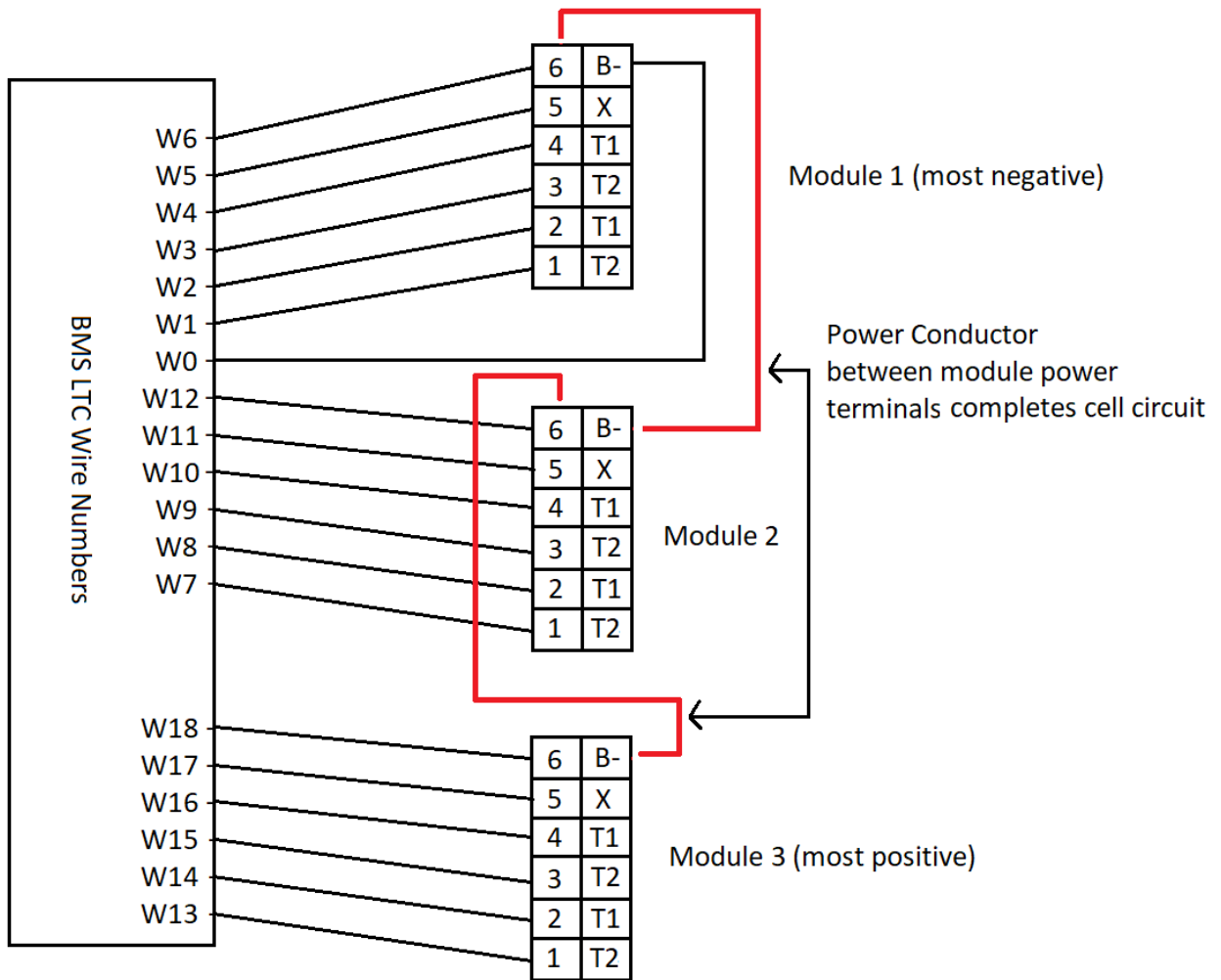


# Tesla Model S Connections to 18 Cell BMS Satellites



## Tesla Model S Connections (with Stealth EV Boards)

- BMSS 18 Satellites
- Thermistor connections shown
- For 2 modules, connect cells as shown for module 1 and 2, then connect W12 to unused wires W13-W18
- Never disconnect power conductors while connected to the BMSS
- Use the harness test board before connecting to the BMSS