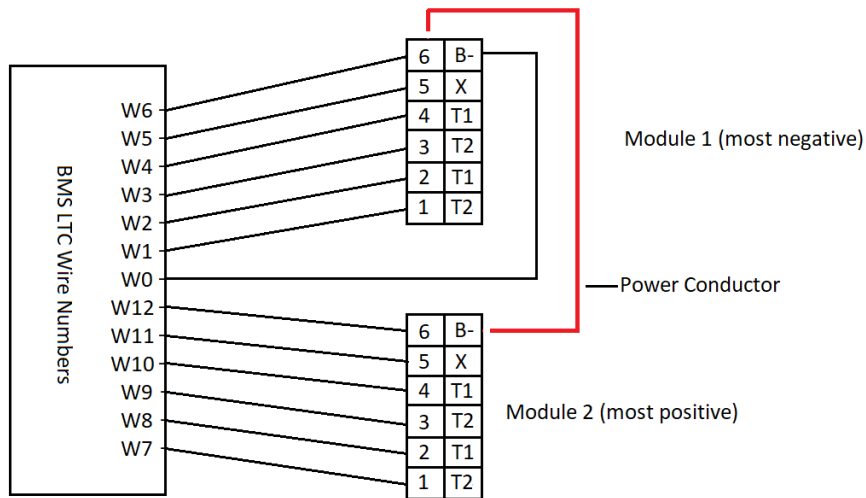


## Two Model S Modules on a Single BMS Harness



Tesla Model S Connections (with Stealth EV Boards)  
 Note: Module 1 B+ connected to Module 2 B- with power conductor. Thermistor connections shown.

## One Model S Module on a Single BMS Harness

