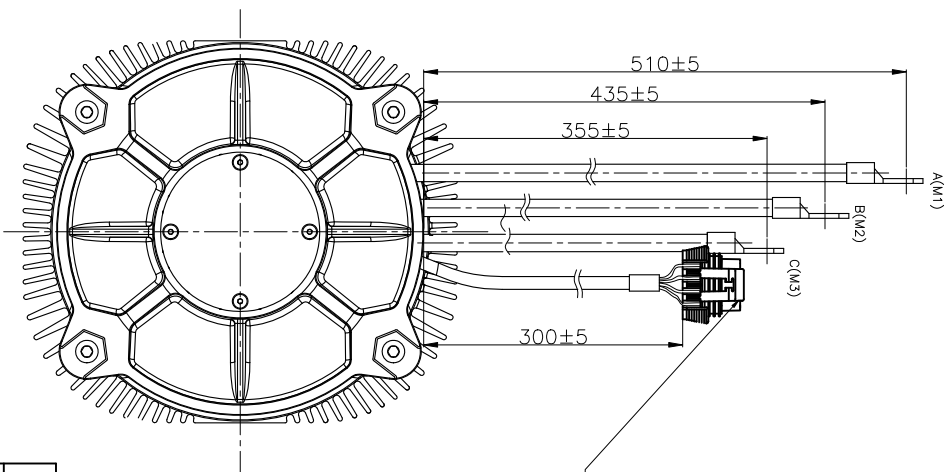
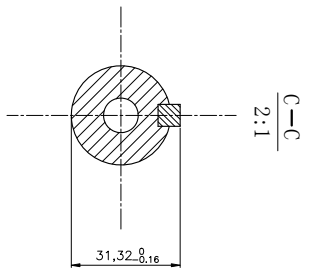
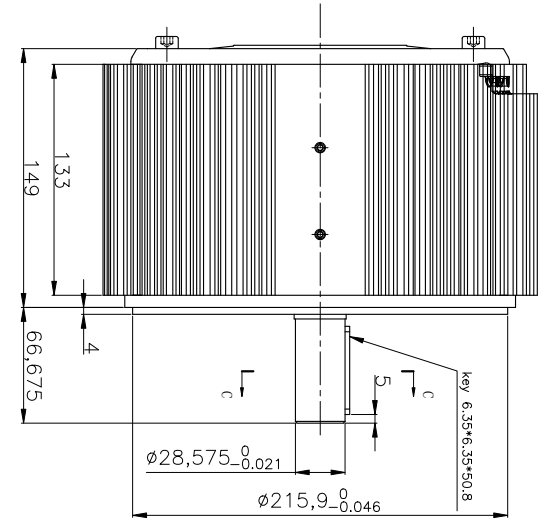
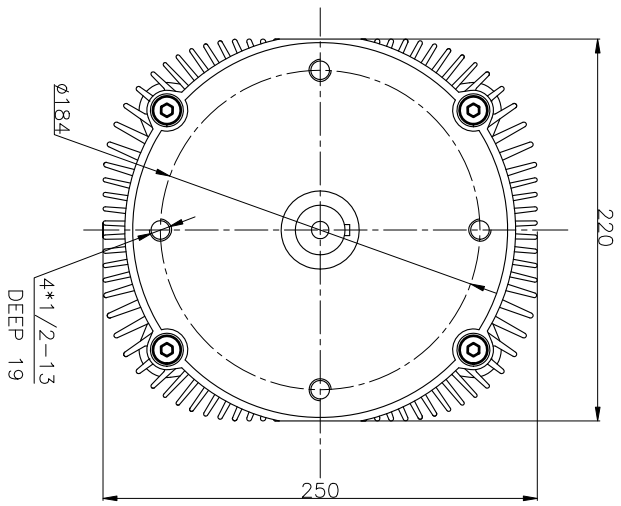


- NOTES:
- 1.CCW (from shaft)
 - 2.TURNS IS 12 PER PHASE
 - 3.Sensor magnet is to be 2.5mm to 3mm from the sensor mounting face. The minimum amplitude for the sensor is 2 volts AC,peak to peak.
 - 4.Class H insulation system.



8 pin Metri-pack 150 series:
Connector: 1204/937
Terminal Position Assurance: 15324525
Terminal: 12084200
Cable Seed: 15324973
Seed: 12059168-B

1. sine/cosine encoder

PIN LOCATION	WIRE DESIGNATION	WIRE COLOR
插孔点	导线标记	导线颜色
A	Cosine (余弦)	WHITE白
B	Sine (正弦)	BLUE蓝
C	Ground (0)	BLACK黑
D	N/C	
E	Vcc (5V)	BROWN棕
F	Shield (接地)	GREEN绿
G	Temp1	YELLOW (黄)
H	Temp2	YELLOW (黄)

REV.	CHANGES	BY	ECO/NO.	DATE	DO NOT SCALE	DIMENSIONING AND TOLERANCING PER	MATERIAL	TITLE
-	-	-	-	-	THIS DRAWING IS THE PROPERTY OF MOTORING INC. INFORMATION DISCLOSED IN THIS DRAWING WITHOUT PROMPT WRITTEN PERMISSION IS PROHIBITED.	ANSI Y14.5M-1994		011111E 永磁无刷直驱磁链式电动机 外形图
-	-	-	-	-	DISCLOSED WITHOUT PROMPT WRITTEN PERMISSION IS PROHIBITED.	CLASSIFICATION OF CRITICAL (C):	SIN.	DRAWN
-	-	-	-	-	DISCLOSED WITHOUT PROMPT WRITTEN PERMISSION IS PROHIBITED.	EMMISSIONS (E):	MODEL NO.	APPR.
-	-	-	-	-	DISCLOSED WITHOUT PROMPT WRITTEN PERMISSION IS PROHIBITED.	MAJOR (M):	SIM TO:	DEPT.
-	-	-	-	-	DISCLOSED WITHOUT PROMPT WRITTEN PERMISSION IS PROHIBITED.		SCALE:	
-	-	-	-	-	DISCLOSED WITHOUT PROMPT WRITTEN PERMISSION IS PROHIBITED.		CODE:	DESIGN VENDOR:
-	-	-	-	-	DISCLOSED WITHOUT PROMPT WRITTEN PERMISSION IS PROHIBITED.			QJMT-302-893

REV.	CHANGES	BY	ECO/NO.	DATE	DO NOT SCALE	DIMENSIONING AND TOLERANCING PER	MATERIAL	TITLE
4					THIS DRAWING IS THE PROPERTY OF MOTORING INC. INFORMATION DISCLOSED IN THIS DRAWING WITHOUT PROMPT WRITTEN PERMISSION IS PROHIBITED.	ANSI Y14.5M-1994		011111E 永磁无刷直驱磁链式电动机 外形图
3					DISCLOSED WITHOUT PROMPT WRITTEN PERMISSION IS PROHIBITED.	CLASSIFICATION OF CRITICAL (C):	SIN.	DRAWN
2					DISCLOSED WITHOUT PROMPT WRITTEN PERMISSION IS PROHIBITED.	EMMISSIONS (E):	MODEL NO.	APPR.
1					DISCLOSED WITHOUT PROMPT WRITTEN PERMISSION IS PROHIBITED.	MAJOR (M):	SIM TO:	DEPT.
					DISCLOSED WITHOUT PROMPT WRITTEN PERMISSION IS PROHIBITED.		SCALE:	
					DISCLOSED WITHOUT PROMPT WRITTEN PERMISSION IS PROHIBITED.		CODE:	DESIGN VENDOR:
					DISCLOSED WITHOUT PROMPT WRITTEN PERMISSION IS PROHIBITED.			QJMT-302-893