

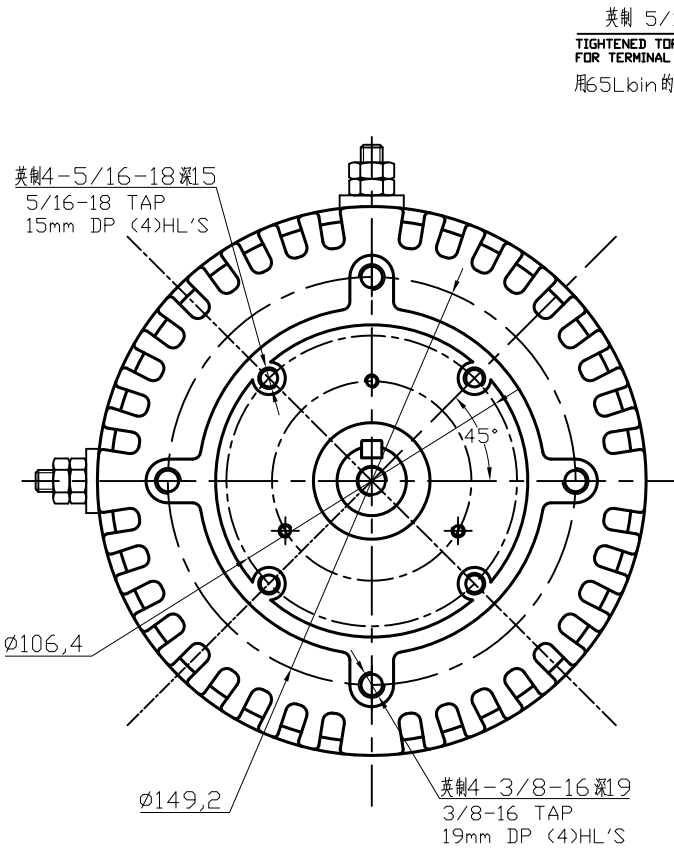
NOTES:

- 1.CCW
- 2.Front bearing: NTN6006 LLUC3/5K (Made in Japan)
- 3.Product to be shipped in plain white box, styrofoam packaging
Include Dyno Plot in box.
- 4.Box to be marked:
Part Number: ME1004
Made in China

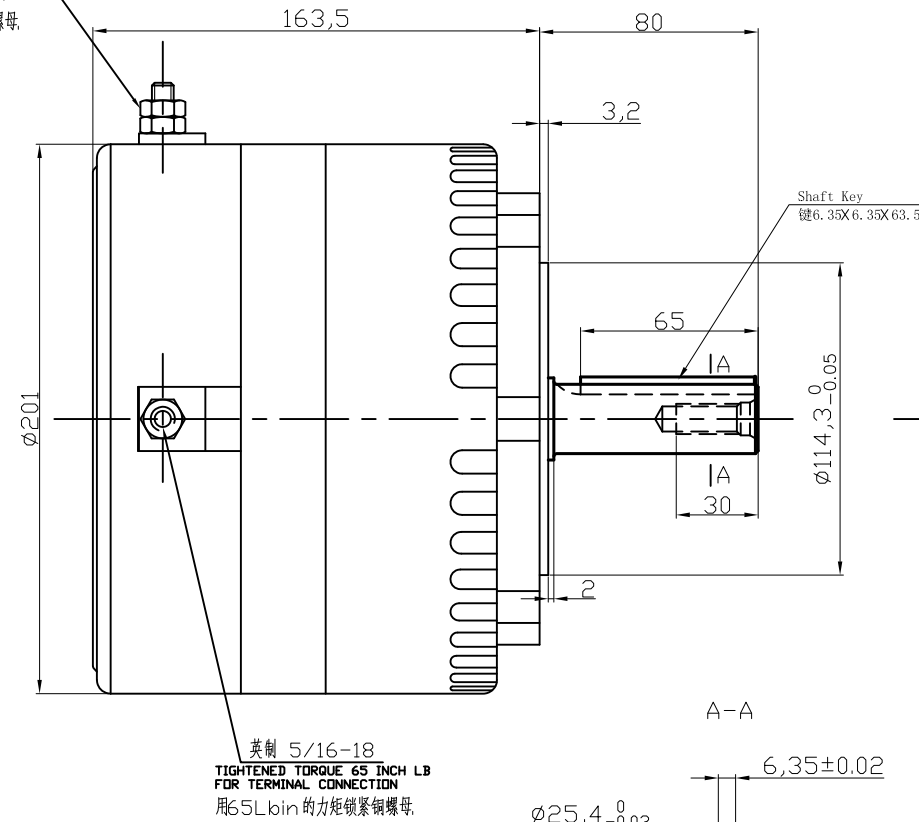
ME1004

B

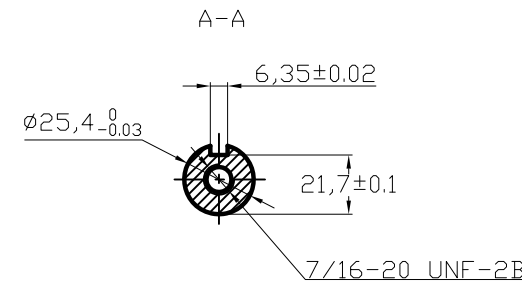
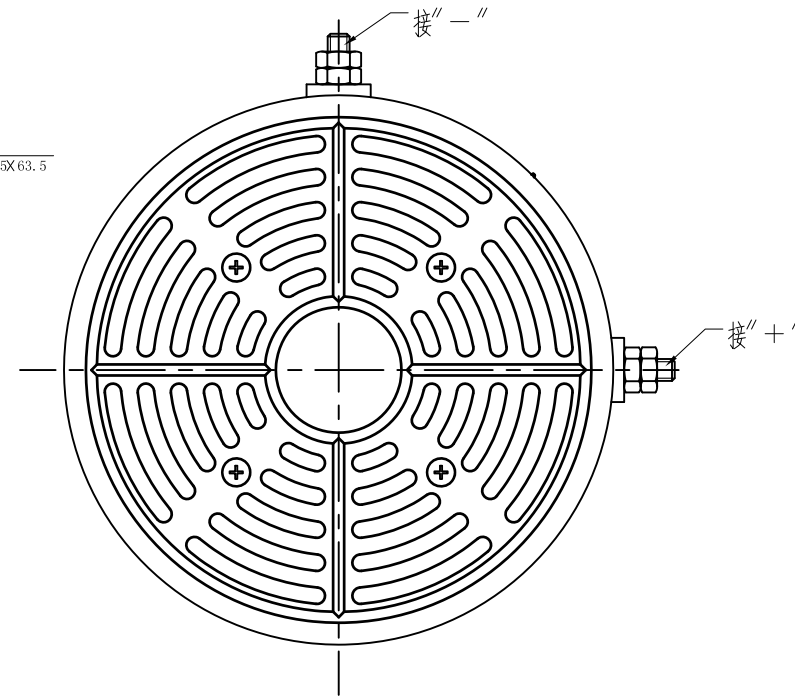
A



英制 5/16-18
TIGHTENED TORQUE 65 INCH LB
FOR TERMINAL CONNECTION
用65Lbin的力矩锁紧铜螺母。



英制 5/16-18
TIGHTENED TORQUE 65 INCH LB
FOR TERMINAL CONNECTION
用65Lbin的力矩锁紧铜螺母。



NAMECARD DATA
PART # ME1004
DATE CODE XXXXX
SERIAL #:XX.XX.XXXX
Mars Electric LLC
Milwaukee, WI USA

规格表

型号 MODEL	输出功率 (W) POWER(W)	电压 (V.DC) VOLTAGE(V.DC)	转矩 (LB-IN) TORQUE (LB-IN)	额定转速 (RPM) LOADED SPEED(RPM)	空载转速 (RPM) NO LOAD SPEED(RPM)	电流 (A) CURRENT (A)
ME1004	8000	48	218	3100 ⁺²⁵⁰ / ₋₂₀₀	appr. 3700	>200

REV.	CHANGES	BY	ECO NO.	DATE	DO NOT SCALE DRAWING THIS DRAWING IS PROPRIETARY PROPERTY OF MARS ELECTRIC LLC CORPORATION DISCLOSED IN CONFIDENCE. WHICH MAY NOT BE USED OR DISCLOSED WITHOUT PERMISSION. RETURN PROMPTLY AFTER USE.	DIMENSIONING AND TOLERANCING PER ANSI Y14.5M-1994	CLASSIFICATION OF CHARACTERISTICS CRITICAL (C): EMMISIONS (E): MAJOR (M):	MATERIAL	TITLE OUTLINE	Mars Electric LLC MILWAUKEE, WISCONSIN, U.S.A.
-	-	-	-	-	-	-	-	-	DRAWN: lxp 10.04.25	-
-	-	-	-	-	-	-	-	-	APPR:	DESIGN VENDOR: -
-	-	-	-	-	-	-	-	S/N: CODE:	SCALE: -	0JW.T. 301. 355
-	-	-	-	-	-	-	-	MODEL NO:	-	REV 1 OF 1 SHEET
-	-	-	-	-	-	-	-	SIM TO:	-	-

4

3

2

1

B

A