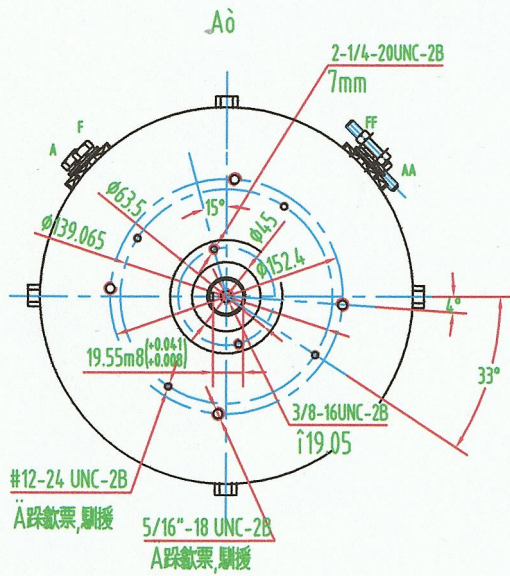
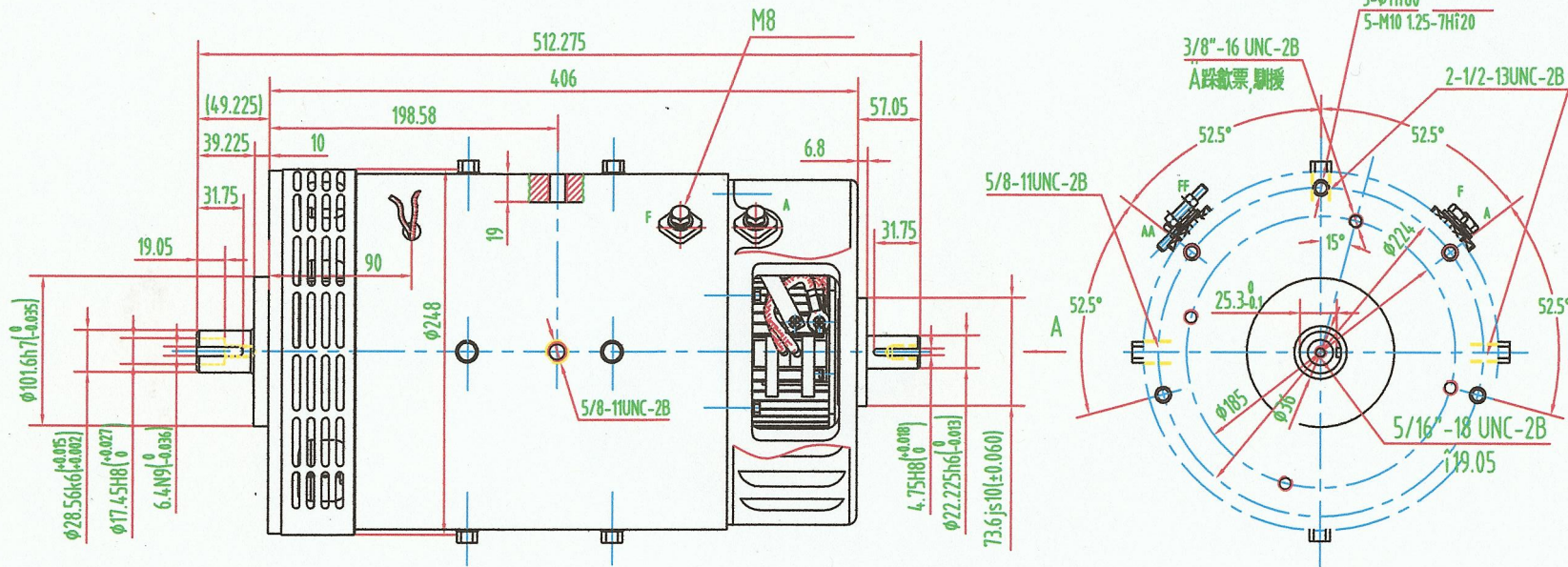


ME1002



Ratings

Voltage: 144 VDC
 Continuous Current: 205 Amps
 Speed at Rated Current: 4550 RPM
 Continuous Power: 26 KW
 Efficiency at Continuous Power: 89%
 Insulation Class: H
 Ingress Protection: IP22
 Peak Current: 550 AMPS at 2 Minutes
 Peak Power: 60 KW minimum

Mars Electric LLC
 Slinger, WI USA